

Glycol Chiller

Assembly, Operation, & Maintenance



Congratulations on your purchase, and thank you for selecting the Glycol Chiller from Blichmann Engineering™. We are confident that it will provide you years of service and many gallons of outstanding beer. This manual will familiarize you with the use, assembly, and the sanitation procedures for the product.



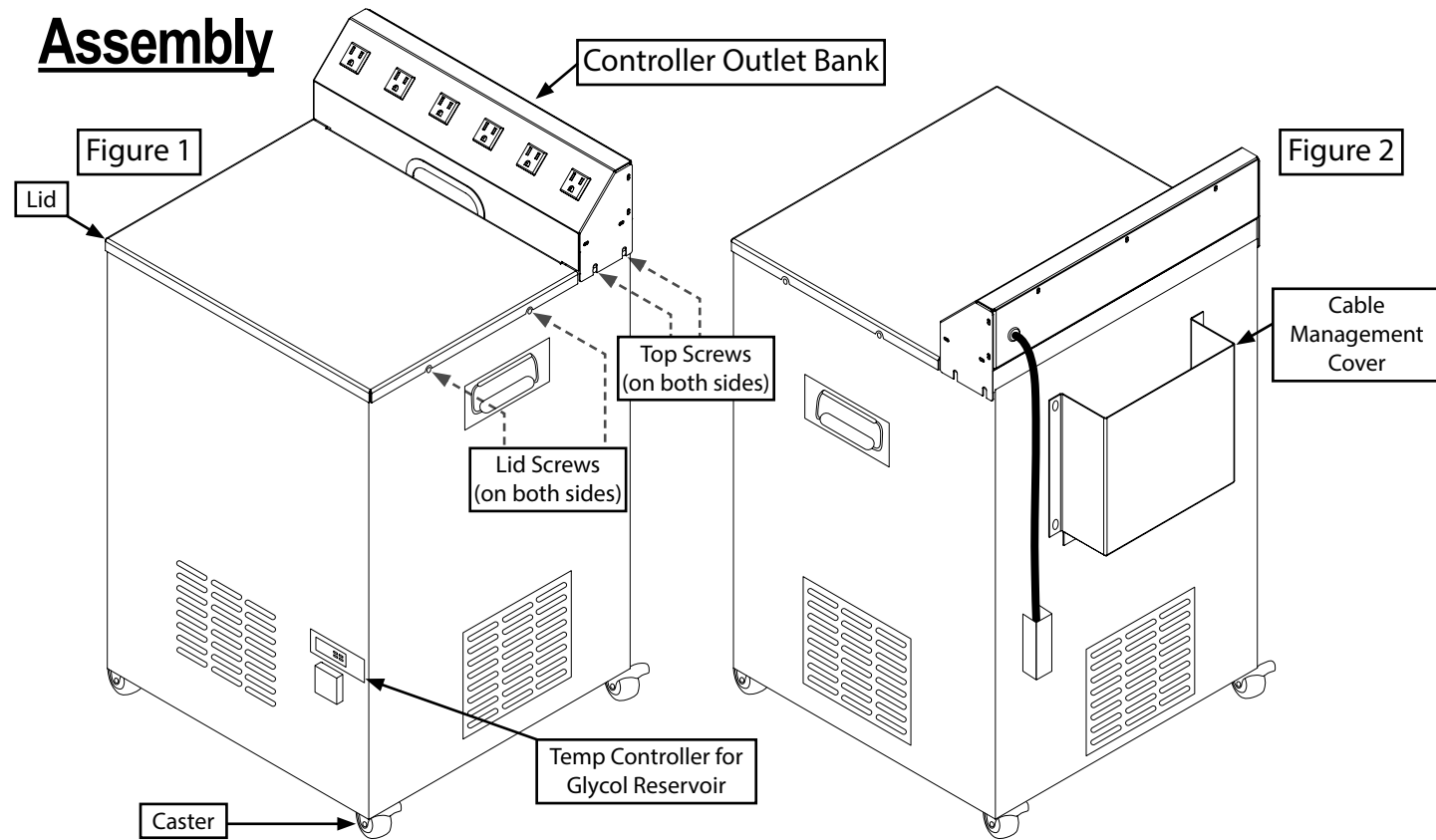
IMPORTANT INFORMATION

PLEASE READ AND THOROUGHLY UNDERSTAND THIS MANUAL PRIOR TO USE FOR IMPORTANT SAFETY INFORMATION!

- WARNING:** Sections labeled “Warning” can lead to serious injury or death if not followed. Please thoroughly read these sections and understand them completely before use. If you do not understand them or have any questions, contact your retailer or Blichmann Engineering (www.BlichmannEngineering.com) before use.
- CAUTION:** Sections labeled “Caution” can lead to equipment damage or unsatisfactory performance of the equipment. Please read these sections thoroughly. If you have any questions, contact your retailer or Blichmann Engineering (www.BlichmannEngineering.com) before use.
- IMPORTANT:** Sections labeled “Important” should specifically be followed to ensure satisfactory results with the product.

ALLOW THE UNIT TO SIT UPRIGHT FOR 24 HOURS BEFORE PLUGGING IN.

Assembly



Install the casters with the included hardware located inside the glycol chiller unit.

Install the cable management cover onto the back of the glycol chiller with the included hardware. (**Figure 3**)

Caution: Before use, allow the unit to sit for 24 hours. DO NOT PLUG IN

After the glycol chiller has sat for 24 hours, add a mixture of 35% glycol and 65% distilled water. Plug in the glycol chiller. Set the controller on the front of the glycol chiller to the desired temperature. For maintaining fermentation temperatures set the chiller at least 5 degrees lower than the desired fermentation temperature. For crashing a lower temperature may be required.

Caution: Do not exceed 1.6 amps on each outlet of the controller outlet bank.

TECHNICAL SPECIFICATIONS

1. Cooling Capacity: 3400 BTUs/hr
2. Compressor: 3/8 HP
3. Temperature controlling range: -5°C ~ 10°C, 23°F ~ 50°F
4. Power supply: 110VAC±10%, 60Hz
5. Power consumption: < 500W
6. Operable Ambient temperature: 32°F ~ 140°F 0°C ~ 60°C
7. Storage temperature: -22°F ~ 167°F

TECHNICAL SPECIFICATIONS

Indicator Light	Status	Function
Cool	Always on	Compressor works
Cool	Flash	Compressor output delay

PREPROGRAMMED PARAMETERS

Code	Function	Set Range	Unit	Default
°C Menu				
F1	Temperature Control Band	1-15	°C	3
F2	Compressor Delay Time	0-15	min	3
F3	Temperature Calibration Offset	-10~10	°C	0
°F Menu				
F1	Temperature Control Band	2-27	°F	5
F2	Compressor Delay Time	0-15	min	3
F3	Temperature Calibration Offset	-18~18	°F	0

ERROR INFORMATION

Error Code	Error Analysis	Response Way
EE	Temperature Sensor Error	Alarm, and the machine does not work
HH	Temperature Exceeds Setting Maximum Display Temperature	Alarm, and the machine does not work
LL	Temperature Exceeds Setting Minimum Display Temperature	Alarm, and the machine does not work

The way to adjust temperature:

- To enter temperature setting mode press SET key, to adjust temperature press ▲ key or ▼ key.
- System will save the modified setting temperature and back to normal working status if no key operation in 5 seconds.

2. The way to modify parameter:

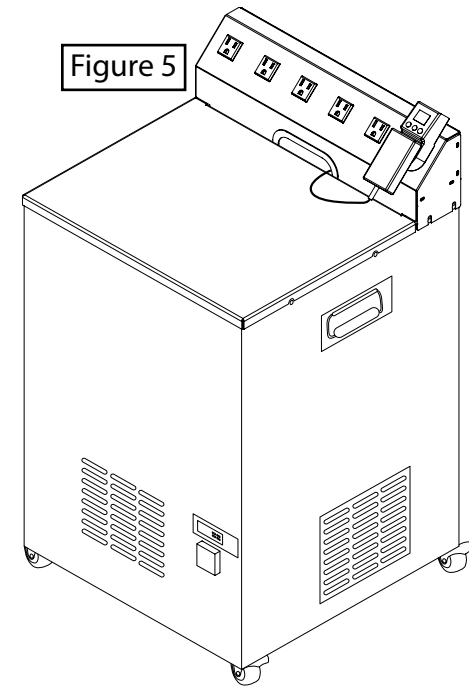
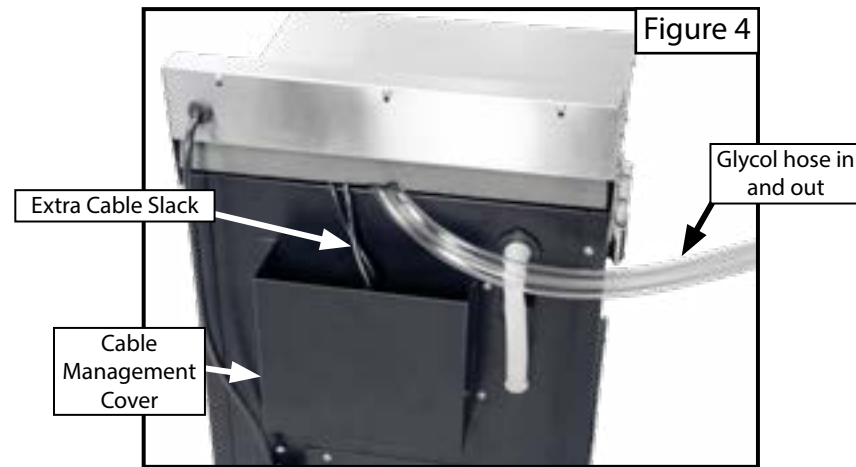
- Press SET key for 3 seconds or more to enter programming mode, and "Set" indicator light on, screen displays the parameters adjusted last time.
- Press ▲ key or ▼ key to toggle or scroll through the menu item.
- Press SET key to select the current menu.
- Press SET key, and ▲ key or ▼ key simultaneously to adjust the value of parameters.
- System will save the modified temperature setting and exit the menu if no key is pressed in 5 seconds.

3. The way to switch between Celsius or Fahrenheit

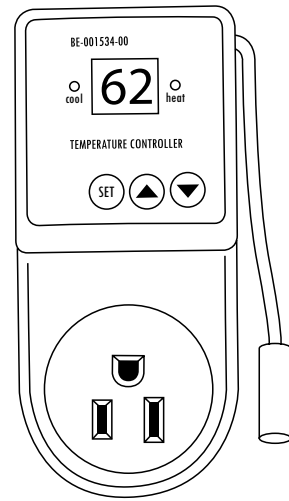
- Press RST key and hold more than 3 seconds to automatically switch between °F and °C.

OPERATION

The Blichmann Glycol Chiller pairs perfectly with our cooling kits. This will allow you to cool up to 6 fermentors. Connect your hose to the submersible pump and place the submersible pump into the glycol. Run the hose out of the back of the glycol chiller as shown in **Figure 4**. Run the excess cable from the submersible pump out the back of the glycol chiller and place into the cable management cover (**Figure 4**). Plug the temperature controller into the outlet on the glycol chiller and plug the submersible pump into the temperature controller as shown in **Figure 5**. Place the temperature probe from the temperature controller into the thermowell or tape it to the side of your fermentor and cover with insulation. Set the desired fermentation temperature on your temperature controller.



Blichmann Temperature Controller



Blichmann Engineering Product Warranty

A. Limited Warranty

1. Blichmann Engineering warrants to the original purchaser that this product will be free from manufacturing defects in material and workmanship for a period of one (1) year from the date of purchase by the customer. Proof of purchase is required. Blichmann Engineering's obligation to repair or replace defective materials or workmanship is the sole obligation of Blichmann Engineering under this limited warranty.
2. This product is for home use only. The limited warranty covers only those defects that arise as a result of normal use of the product and does not cover any other problems, including, but not limited to, those that arise as a result of:
 - a. Improper maintenance or modification;
 - b. Damage due to incorrect voltage or improper wiring by customer;
 - c. Operation outside of the product's specifications;
 - d. Carelessness or neglect to operate the product in accordance with instructions provided with the product;
 - e. Damaging the tamper label on the product;
 - f. Damage by over-tightening the fasteners;
 - g. Failure to follow cleaning and / or maintenance procedures; or
 - h. Exceeding published operational temperatures.
3. Blichmann Engineering reserves the right to request delivery of the defective component for inspection before processing the warranty claim. If Blichmann Engineering receives, during the applicable warranty period, notice of a defect in any component that is covered by the warranty, Blichmann Engineering shall either repair or replace the defective component with a new or rebuilt component at Blichmann Engineering's option.
4. Blichmann Engineering must be notified within seven (7) days of the delivery date of any shipping damage. Customer is responsible for shipping damage outside of this time period. Approval for return must be provided by Blichmann Engineering prior to any return. Customer is responsible for keeping all original packaging material for warranty returns. Blichmann Engineering is not responsible for damage from improperly packaged warranty returns, and these repair costs will be the sole responsibility of the customer. Shipping costs for warranty returns are covered only for the contiguous United States.
5. Blichmann Engineering's limited warranty is valid in any country where the product is distributed.

B. Limitations of Warranty

1. Any implied warranty that is found to arise by way of state or federal law, including any implied warranty of merchantability or any implied warranty of fitness, is limited in duration to the terms of this limited warranty and is limited in scope of coverage to this warranty. Blichmann Engineering disclaims any express or implied warranty, including any implied warranty of fitness for a particular purpose or merchantability, on items excluded from coverage as set forth in this limited warranty.
2. Blichmann Engineering makes no warranty of any nature beyond that contained in this limited warranty. No one has authority to enlarge, amend, or modify this limited warranty, and Blichmann Engineering does not authorize anyone to create any other obligation for it regarding this product.
3. Blichmann Engineering is not responsible for any representation, promise, or warranty made by any independent dealer or other person beyond what is expressly stated in this limited warranty. Any selling or servicing dealer is not Blichmann Engineering's agent, but an independent entity.

C. Limitations of Liability

1. The remedies provided in this warranty are the customer's sole and exclusive remedies.
2. Except for the obligations specifically set forth in this warranty, in no event shall Blichmann Engineering be liable for direct, indirect, special, incidental, or consequential damages, whether based on contract, tort, or any other legal theory and whether or not advised of the possibility of such damages.
3. This warranty does not cover, and in no event shall Blichmann Engineering be liable for, travel, lodging, or any other expense incurred due to manufacturing defects in material and workmanship, or any other reason.
4. Any performance of repairs after the warranty coverage period has expired or performance of repairs regarding anything excluded from coverage after this limited warranty shall be considered good-will repairs and they will not alter the terms of this limited warranty, or extend any warranty coverage period.
5. Venue for any legal proceedings relating to or arising out of this warranty shall be in Tippecanoe County, Indiana, United States, which courts will have exclusive jurisdiction.

D. Local Law

1. This warranty gives the customer specific legal rights. The customer may also have other rights that vary from state to state in the United States or other countries.
2. To the extent that this warranty is inconsistent with local law, it shall be deemed modified, only to the extent necessary to be consistent with such local law.

This product uses food grade materials anywhere the product touches the beverage.

Warning: This product contains or may contain chemical(s) known to the State of California to cause cancer, birth defects, or other reproductive harm.